

# SIGHT FLOW FOR SEA WATER

## MODEL : SF – 313 - BC

SF type series

**RYUKI**

SF-313-BC type is a flapper type seawater detector (Site glass, Flow checker, Site flow).

It is mainly used for the purpose of monitoring the movement in the pipeline.

Flow rate scale is engraved on the glass plate so that you can easily check the instantaneous flow rate.

### ■ Feature

- ◎ For seawater
- ◎ Easy to install and handle.
- ◎ Instantaneous flow rate can be read.  
(Accuracy: F.S.  $\pm 5\%$ )
- ◎ It is standardized.
- ◎ You can check the inside from both sides.
- ◎ This product is MADE IN JAPAN
- ◎ For the type with electrical contact, please consider the differential pressure type flow meter ODM-300 series.

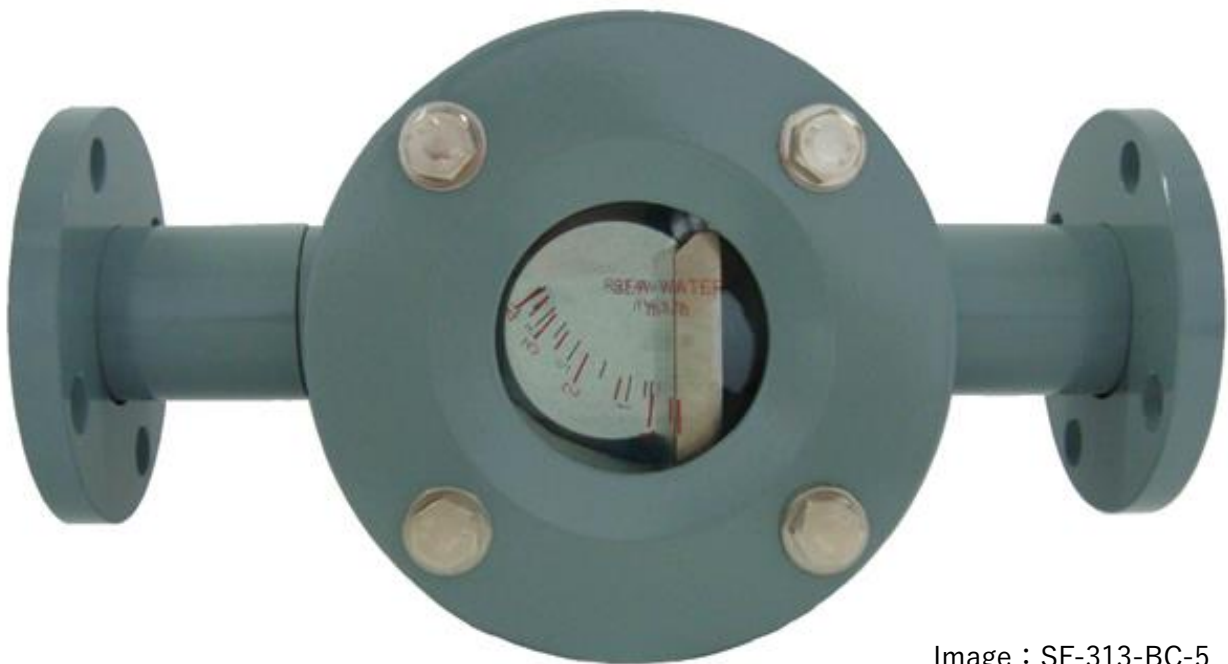
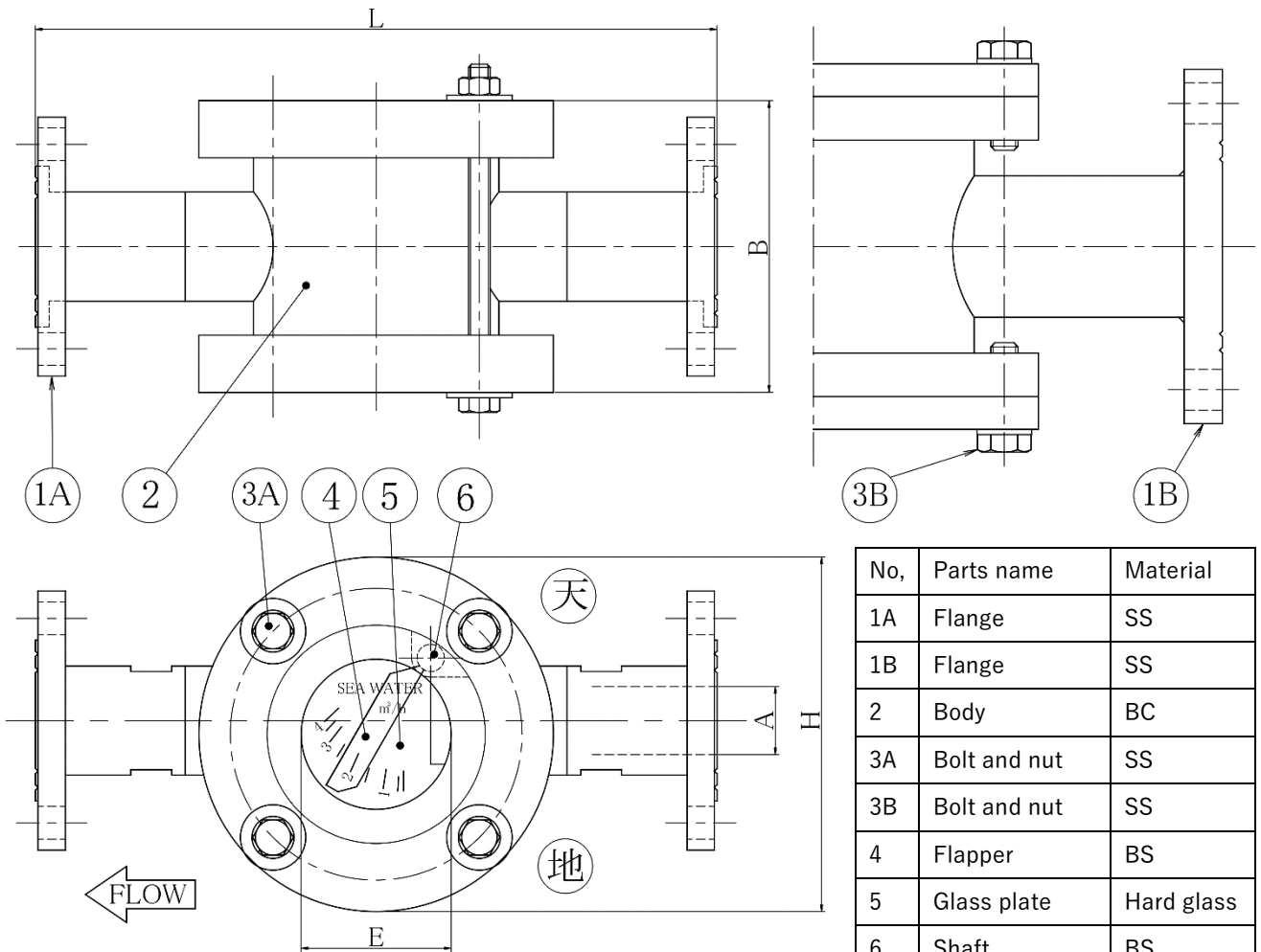


Image : SF-313-BC-5

■ Structure and Standard dimensions SF-313-BC type

※ Please contact us for SUS products



※ Flow direction is horizontal

No,	Parts name	Material
1A	Flange	SS
1B	Flange	SS
2	Body	BC
3A	Bolt and nut	SS
3B	Bolt and nut	SS
4	Flapper	BS
5	Glass plate	Hard glass
6	Shaft	BS

■ JIS nominal diameter of SF-313-BC type

NO.	FLANGE SIZE	FLOW RATE (m <sup>3</sup> /h)	L(mm)	B(mm)	H(mm)	E(mm)	ASS'Y FLANGE	WEIGHT (kg)
1	JIS 5K - 25A	0.2~1.0	200	117	130	55	1A,3A	6.0
2	25A	0.3~1.5	200	117	130	55	1A,3A	6.0
3	25A	0.4~2.0	250	117	130	55	1A,3A	6.7
4	25A	0.6~3.0	250	117	130	55	1A,3A	6.7
5	25A	0.8~4.0	250	117	130	55	1A,3A	6.7
6	40A	1.2~6.0	250	117	130	55	1A,3A	7.5
7	40A	1.6~8.0	300	135	165	85	1B,3B	14
8	50A	2~10	300	135	165	85	1B,3B	14
9	50A	4~20	360	180	190	105	1B,3B	26
10	80A	4~20	360	180	190	105	1B,3B	26

■ Inquiry model example: SF-313-BC-5 (5 means classification).

Please contact us for models other than the above.