

# < FLOW SENSOR >

## RS-6S / RS-6B



### < Features >

- \* Most suitable for controlling the flow rate range of 3 to 20 L/min.
- \* Due to the structure and material of the flapper, it is difficult for the scale to adhere to the flapper.
- \* Leakless structure.

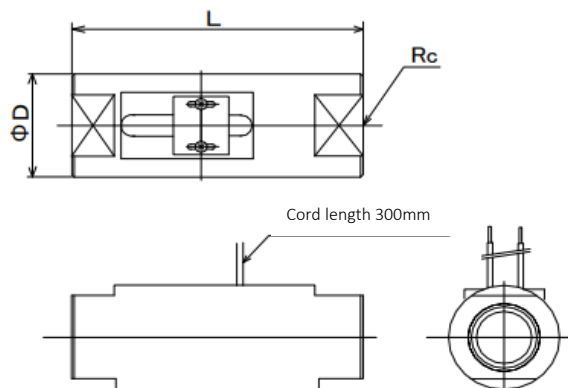
### < Usage >

- \* Water supply relays such as water dispensers, small pumps, device cleaning equipments, food equipment, etc.
- \* Monitoring of filter clogging, etc.

### < Specifications >

Model	RS - 6S	RS - 6B
Body material	SUS304	C3602
Material of internal mechanism	PPO	
Connection diameter	R 3/4	
Operating flow rate range	Max 30 L/min	
Set flow rate (Fixed)	3 ~ 20 L/min	
Electrical contact	Normal open (a-contact)	
Rating	AC/DC 100V, Max 10 W	
Pressure	Max. 1 MPa(G)	
Operating temperature	0°C ~ 80°C	
Lead	UL-1007	

### < Dimensions >



Model	RS - 6S, 6B
L	105
D	40
Rc	R 3/4