

< FLOW SENSOR >

RS-4R



< Features >

- * Most suitable for controlling the flow rate range of 1 to 3 L/min.
- * Due to the structure and material of the flapper, it is difficult for the scale to adhere to the flapper.
- * Leakless structure.
- * Body material: SCS14 (Made by lost wax casting)

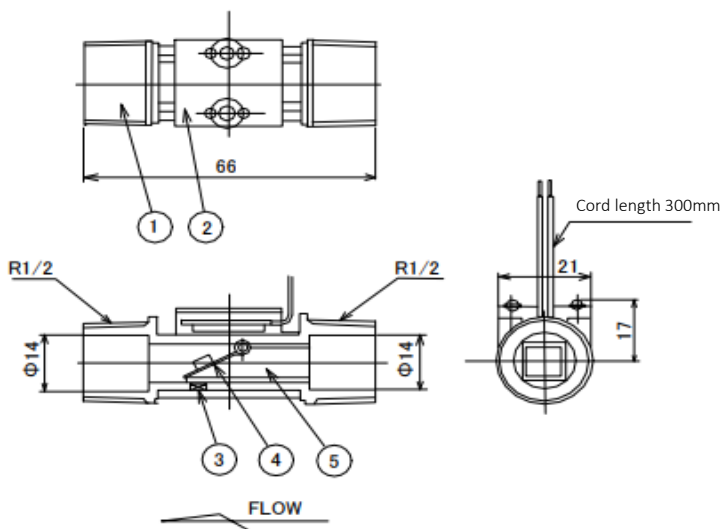
< Usage >

- * Water supply relays such as water dispensers, small pumps, device cleaning equipments, etc.
- * Monitoring of filter clogging, etc.

< Specifications >

Body material	SCS14
Material of internal mechanism	PPO
Connection diameter	R 1/2
Flow rate range	1 ~ 3 L/min
Contact	Normal open (a-contact)
Rating	AC/DC 100V, Max 10 W
Pressure	Max. 2 MPa(G)
Temperature	0°C~85°C
Lead	UL-1007 300mm

< Dimensions >



< Model code >

- RS - 4R - 01 : OFF below 1L/min
- RS - 4R - 02 : OFF below 2L/min
- RS - 4R - 03 : OFF below 3L/min

< Material >

1. Body : SCS14
2. Sensor : PPO
3. Magnet : Rare earth and others
4. Flapper : PPO
5. Collar : PPO

TOKYO RYUKI KOGYO CO.,LTD.